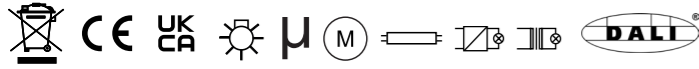
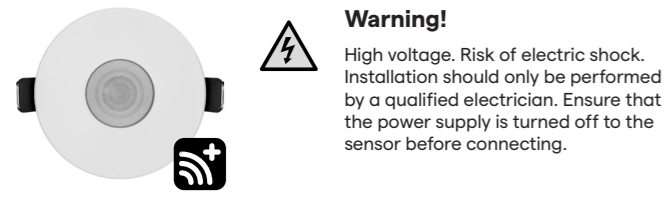


# EN Installation Manual SRD2PB



Sensor V-sense SRD2PB is an active Casambi-Ready PIR sensor (infrared presence sensor) with a built-in lux meter, DALI output, relay output, and two push-button inputs.

SRD2PB is designed so its multifunctionality enables complete control of most rooms without the need for other Casambi devices.

SRD2PB can control up to 20 DALI drivers (40mA) and break non-dimmable loads up to 10A (cos φ =1).

## Detection pattern (m)

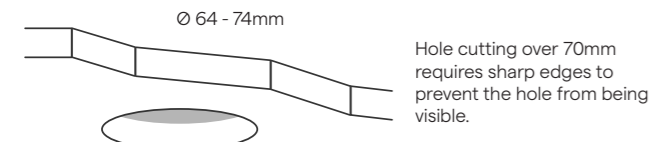
	Movement across	Movement towards	Stationary activity
Height (m)	2,8	2,8	2,8
Across (m)	Ø 14	Ø 7	4

\*In accordance with IEC 63180

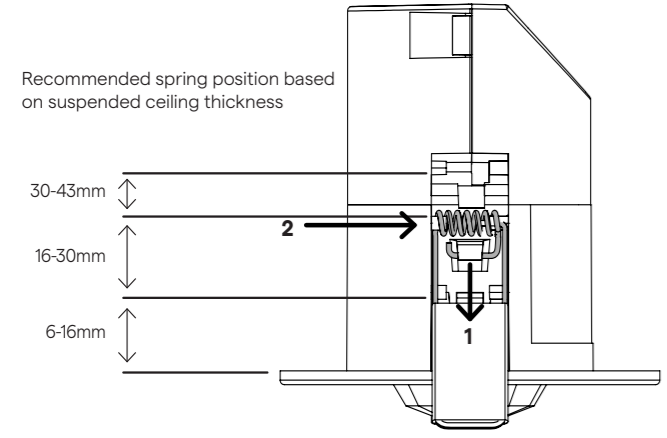
## Installation

- This unit is designed to be mounted in the ceiling.
- Do not place the unit where direct sunlight can reach the sensor.
- Do not place the sensor within 1 meter of lighting, forced air heating, or ventilation.
- Do not attach the sensor to an unstable or vibrating surface.
- Movement is best detected when the ambient temperature differs from the human body's temperature, therefore use within -20 to 35°C for ambient temperature.
- For stationary work, installation directly above the workplace is recommended.

## Recommendations for hole cutting



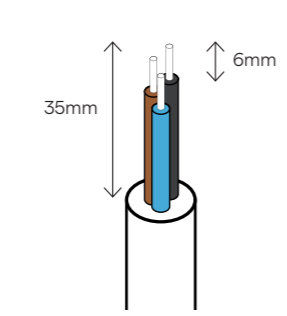
Depending on the thickness of the ceiling, the position of the springs on the sensor can be moved to ensure optimal mounting.



## Changing the spring position

1. Remove the spring bend from the plastic hook by pressing it down.
2. Compress the spring from the right side and remove it from the left plastic peg.
3. For reassembly of the spring, perform steps 1 & 2 in reverse order.

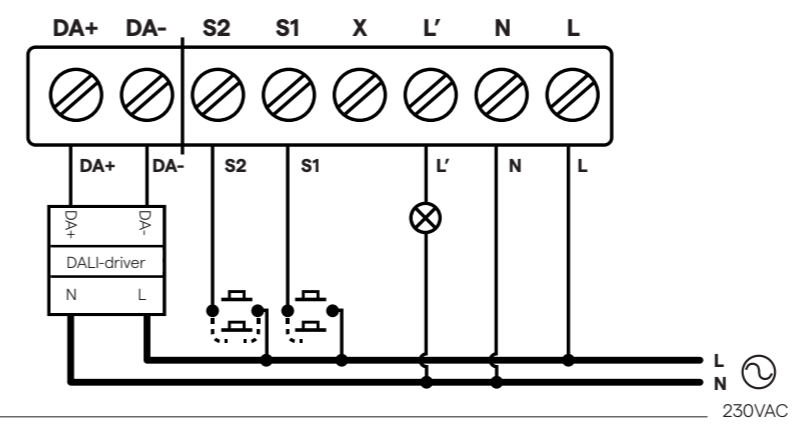
## Recommendations for cable stripping



## Wiring diagram

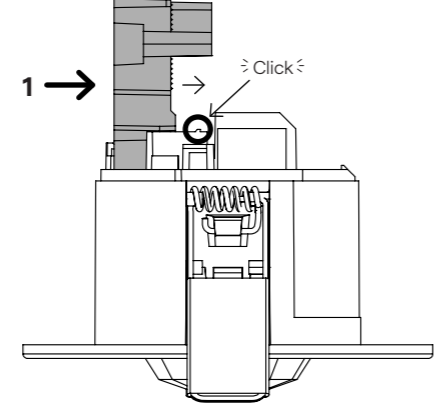
The X-terminal is intended as a crossover terminal.

**Tip!** Since the terminal is removable, it can be detached to easily connect the wiring separately from the sensor, and when everything is connected, the terminal can be pressed back into place in the sensor.

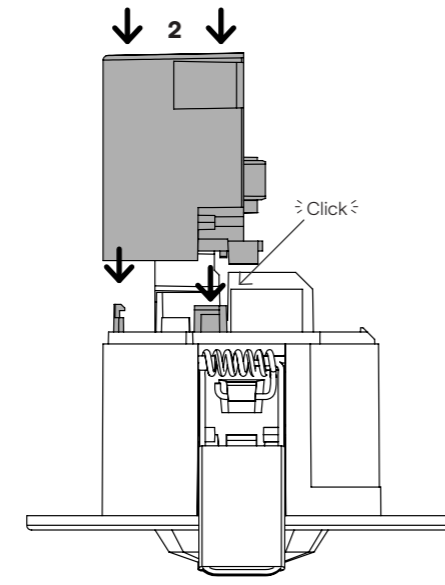


## Mounting & strain relief (for recessed mounting of the sensor)

1. Press the plastic part according to the picture until it clicks.



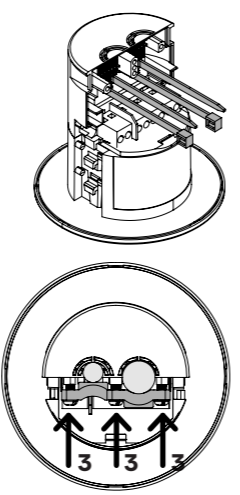
2. Press the plastic part according to the picture until it clicks. Ensure that the plastic hook circled in the picture slides into the pocket on the plastic part.



**Tip!** Use the included cable ties to organize the cables. This is done by inserting the cable tie into one end of the holes so it comes out on the other side.

3. Mount the strain relief (fits Ø8mm - Ø13mm outer dimension).

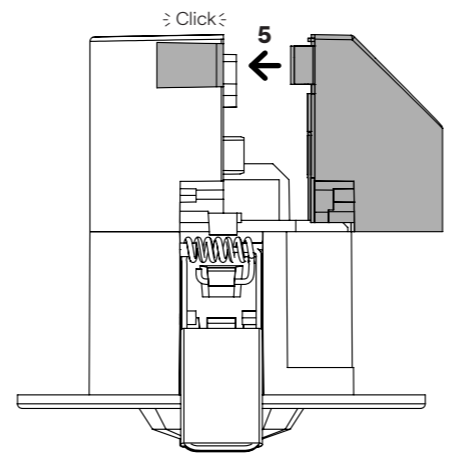
Set the strain relief bracket in the correct direction so it grips the cable dimension you are using.



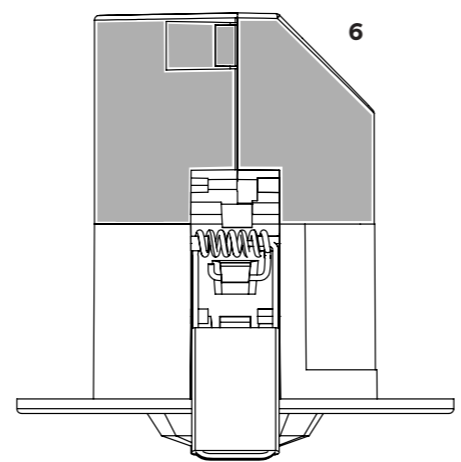
4. Press out the appropriate hole diameter (pre-punched Ø12 & Ø16mm) for the cable.

**Tip!** When installing with flex tube, use a pipe coupling to ensure that the flexible conduit is held in place.

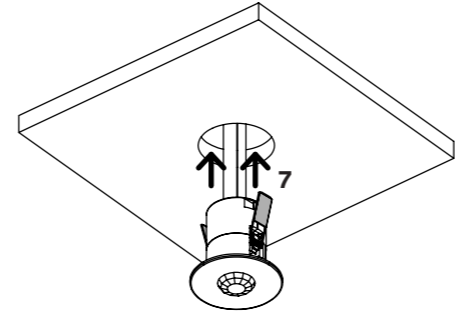
5. Press the plastic part according to the picture until it clicks.



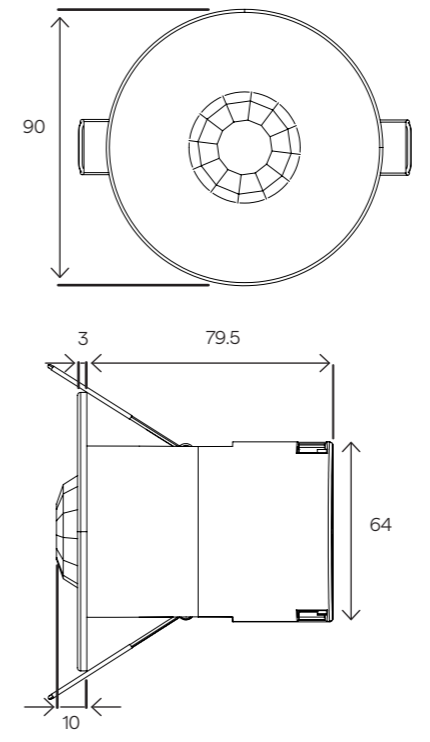
6. Check that all parts are properly assembled and no gaps are visible. Otherwise, press on the affected parts as needed.



7. Bend up the springs and insert the sensor through the hole.



## Dimensions (mm)



## Changing profile

You can change the profile of the unit by clicking on the unit in the Casambi app under "Nearby devices". The option "change profile" will then appear as a selectable option. Changing the unit's profile changes the unit's function.

## Profiles:

- SRD2PB DALI Broadcast: Controls DALI drivers
- SRD2PB DALI TW: Controls DALI drivers including adjustable whiteness
- SRD2PB DALI 4-groups: Group controls DALI drivers according to group affiliation

## Load

The breaking capacity of 10A applies to resistive load. Different types of loads have different amounts of inrush current at startup and voltage spikes at shutdown. To maximize the lifespan of SRD2PB, the following values in the table below are recommended (provided the installation environment is not too warm).

Load	PF	Effect	VA	Current
Halogen/incandescent 230V	1	2300W	2300VA	10A
LED loads	0,9	500W	615VA	2,5A
Fluorescent, uncompensated	0,3	430W	1430VA	6,25A
Fluorescent, compensated	0,85	935W	1085VA	5A
Low voltage halogen, electronic	0,8	935W	1085VA	5A
Low voltage halogen, conventional	0,95	740W	740VA	3A
Energy-saving lamps	0,6	300W	500VA	2,5A
Motors and fans	0,7	380W	575VA	2,5A

## Heat

SRD2PB is equipped with overheating protection. During longer continuous operation with high load in a warm environment, the sensor will shut off. If the sensor is installed in a warm environment, the relay cannot be loaded to the maximum. Note that long cable lengths will generate more heat due to the cable's resistance.

## Range

MESH means that the devices communicate with each other in the Bluetooth network, and you only need coverage to one device. By using MESH network technology, you only need to be within range (max 30 meters) of one device to control all devices. MESH technology allows you to build large-scale installations with a large number of fixtures and easily control them through, for example, your smartphone. We recommend 10 meters as all installations have different conditions.

Effective range is strongly dependent on the environment and obstacles, such as walls and building materials.

Metal will significantly block the radio signal, so avoid enclosing in metal or placing the unit near large metal structures.

Note that even a Casambi device without load can be used in the network to strengthen network strength through MESH technology.

Designation	SRD2PB
Model series	V-sense
Article number	V-44B0306-035Y
E-number	13 020 37
Voltage in	220-240VAC
Frequency in	50Hz, 60Hz
Radio frequencies	2402MHz-2480MHz
Maximum radio frequency effect	8dBm
Standby effect	<0.5W
Lux range	1-999lux
Number of push-button inputs	2
DALI output	40mA (20 DALI drivers)
Maximum breaking capacity	10A (cos =1)
Maximum inrush current relay output	130A, 10ms
Memorizes last set position	Yes
Overheating protection	Yes
Mounting	Recessed (surface mounting achieved with accessories sold separately)
Working air humidity	0...80%, non-condensing
Working temperature	-20°C - +35°C
Dimensions (WxH)	90x81mm
Weight	124g
Cable area	2.5mm <sup>2</sup> (AWG22)
Cable outer diameter	7mm-13mm
Housing material	PC/ABS
Insulation class	IP20
Enclosure class	II
Approvals	CE, UKCA